

ASSAN PANEL

SANAYİ VE TİCARET A.Ş.

Contents of drawing:

OVERLAPPING CAP PROFILE - INSTALLATION

Date: 24.05.2009

Drawing no: 52

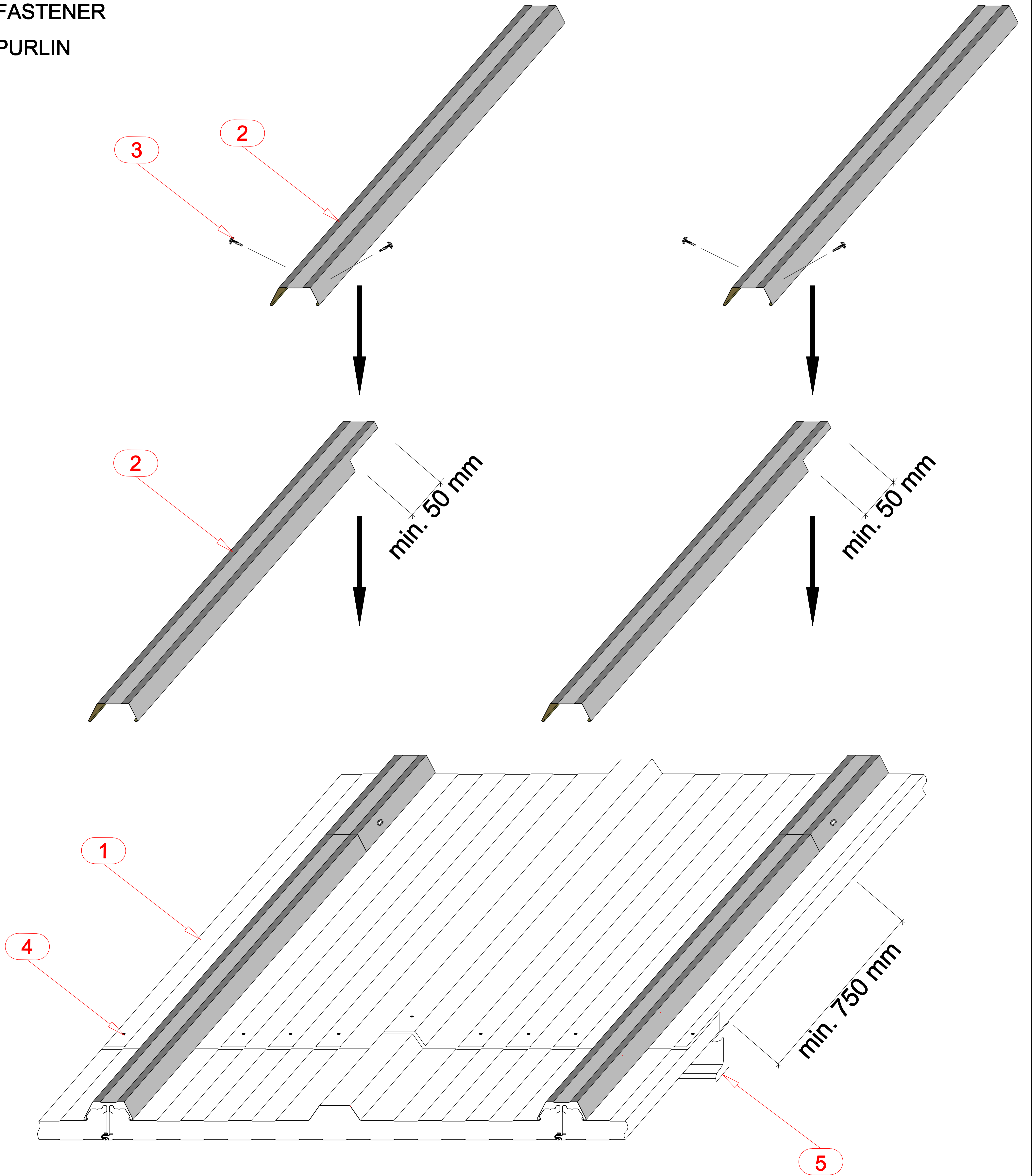
Drawn by:

Rev.

Scale: 1/5

File no: D15

- 1. ROOF PANEL (MASTER PANEL R3)
- 2. CAP PROFILE
- 3. FASTENER
- 4. FASTENER
- 5. PURLIN



The details given in this drawing may change project to project.