

# ASSAN PANEL

SANAYİ VE TİCARET A.Ş.

Contents of drawing:

## DILATATION DETAIL - ROOF

Date: 05.03.2009

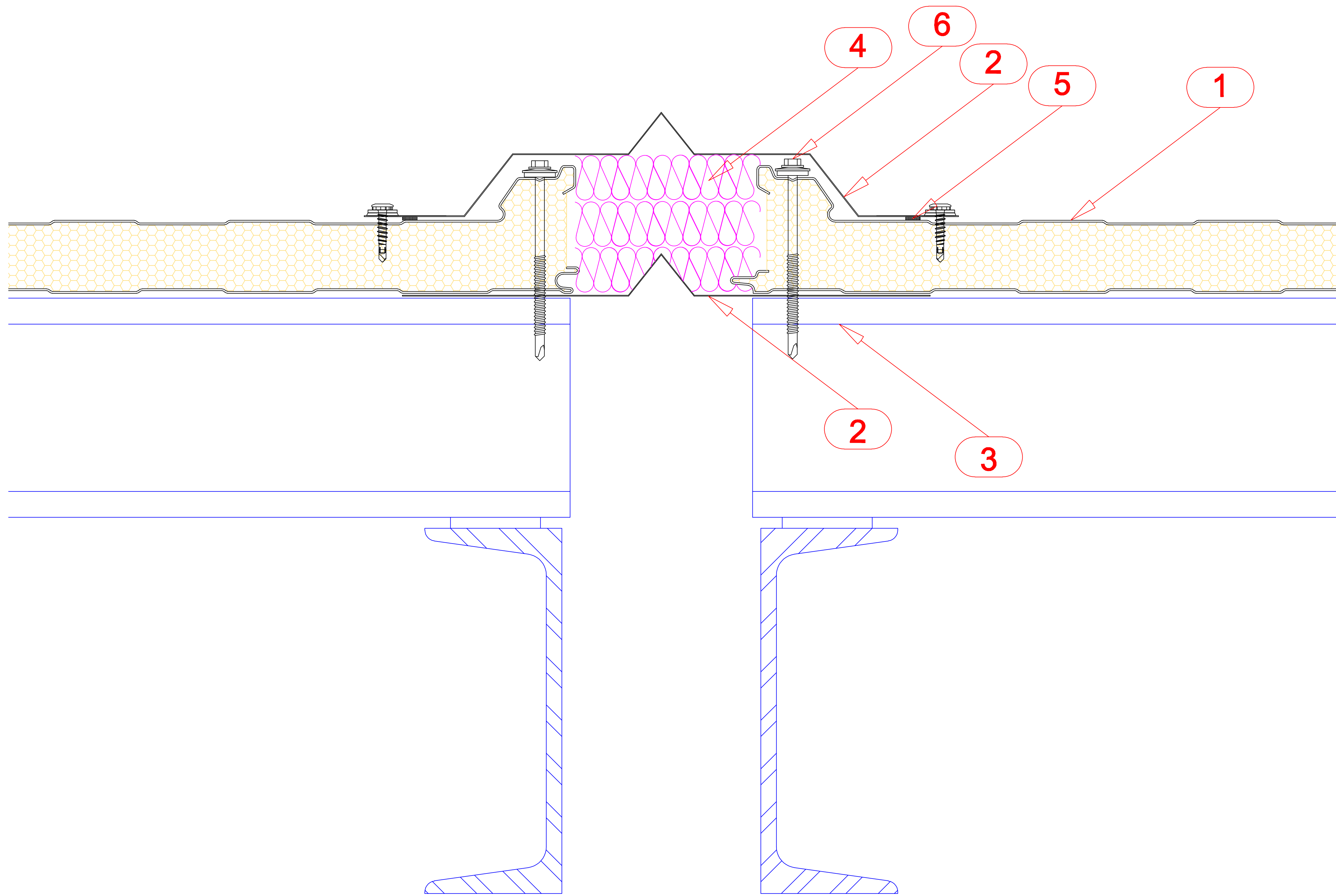
Drawing no: 48

Drawn by:

Rev.

Scale: 1/5

File no:



- 1. ROOF PANEL (MASTER PANEL R3)
- 2. DILATATION PROFILE
- 3. PURLIN
- 4. THERMAL INSULATION
- 5. SEALANT
- 6. FASTENER

The details given in this drawing may change project to project.