

ASSAN PANEL

SANAYİ VE TİCARET A.Ş.

Contents of drawing:

MEMBRANE ROOFING PANEL JOINT DETAILS

Date: 24.04.2008

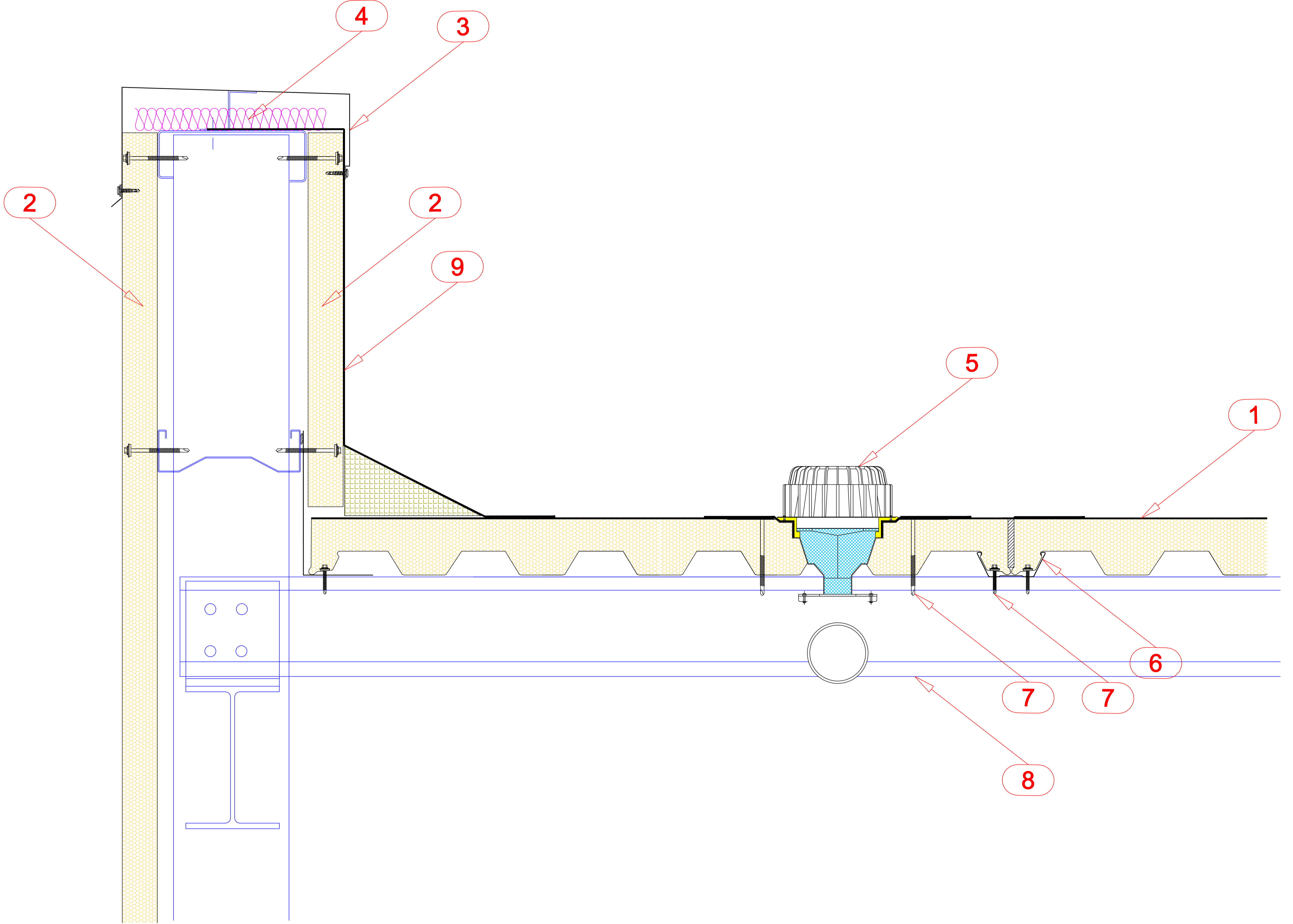
Drawing no: 41

Drawn by:

Rev.

Scale: 1/10

File no: D6



- 1. MEMBRANE ROOF PANEL (MASTER PANEL R7M)
- 2. CEPHE PANELİ (MASTER PANEL W)
- 3. COPING FLASHING
- 4. THERMAL INSULATION
- 5. RAINWATER DRAINAGE SYSTEM
- 6. CAP PROFILE
- 7. FASTENER
- 8. PURLIN
- 9. MEMBRANE

The details given in this drawing may change project to project.