

ASSAN PANEL

SANAYİ VE TİCARET A.Ş.

Contents of drawing:

POLYCARBONATE JOINT DETAILS

Date: 28.08.2008

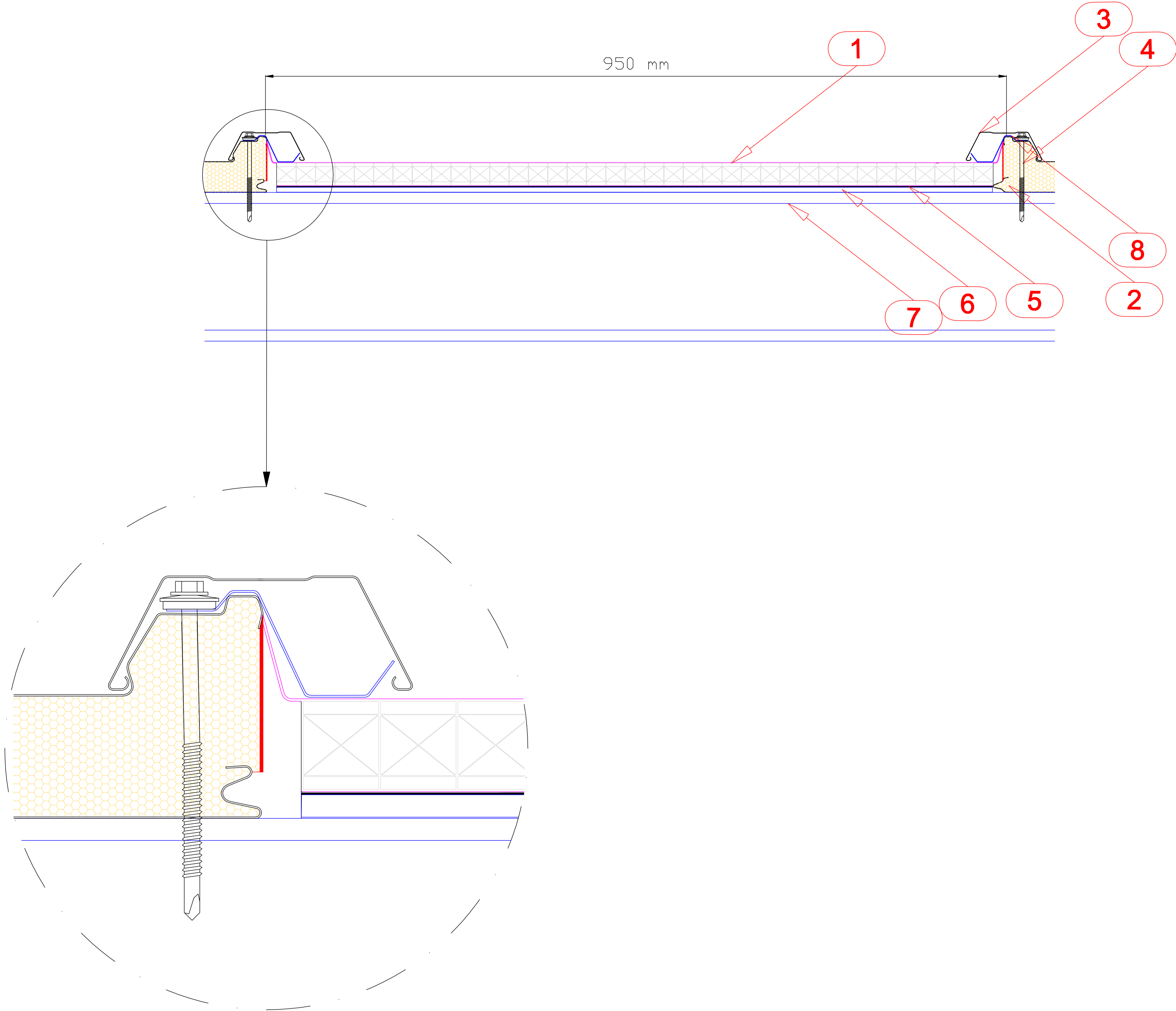
Drawing no: 37

Drawn by:

Rev.

Scale: 1/10

File no: D8



- 1. POLYCARBONATE
- 2. ROOF PANEL (MASTER PANEL R3)
- 3. CAP PROFILE
- 4. FASTENER
- 5. POLYETHYLEN BAND
- 6. Z PROFILE
- 7. PURLIN
- 8. STEEL CLIPS SYSTEM

The details given in this drawing may change project to project.