

ASSAN PANEL

SANAYİ VE TİCARET A.Ş.

Contents of drawing:

POLYCARBONATE JOINT DETAILS

Date: 28.08.2008

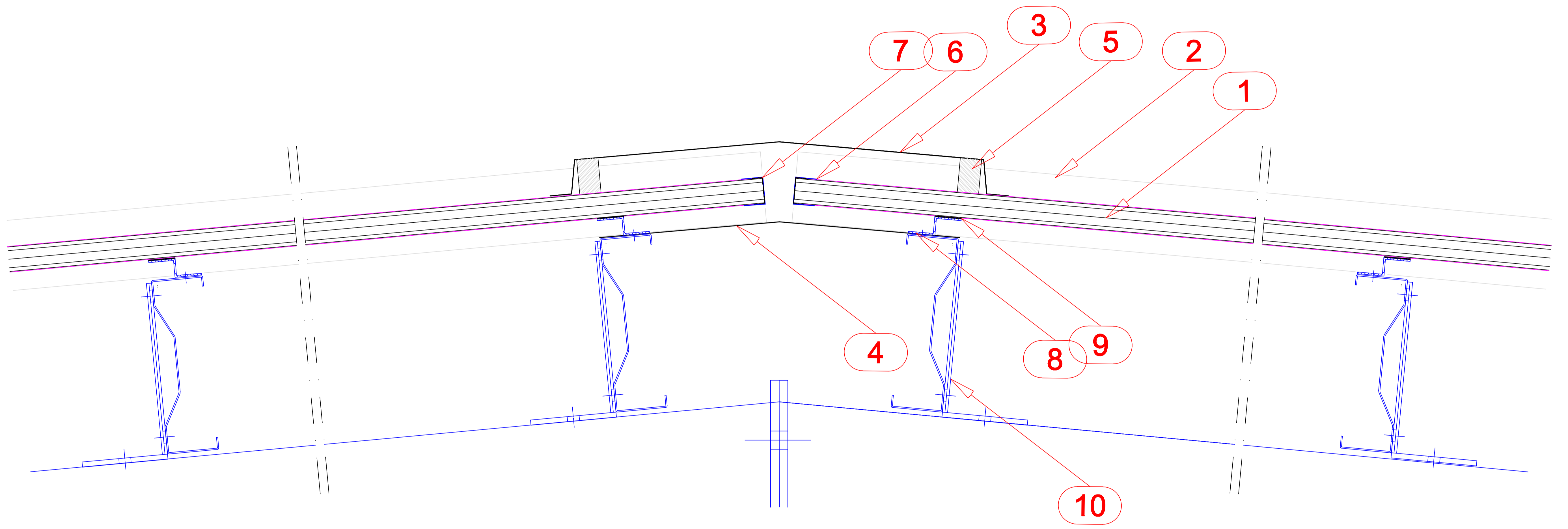
Drawing no: 36

Drawn by:

Rev.

Scale: 1/10

File no: D7



- 1. POLYCARBONATE
- 2. ROOF PANEL (MASTER PANEL R3)
- 3. EXTERNAL RIDGE PROFILE
- 4. INTERNAL RIDGE PROFILE
- 5. SEALANT
- 6. U PROFILE
- 7. ALUMINIUM FOIL TAPE
- 8. Z PROFILE
- 9. POLYETHYLEN BAND
- 10. PURLIN

The details given in this drawing may change project to project.