

ASSAN PANEL

SANAYİ VE TİCARET A.Ş.

Contents of drawing:

PLINTH DETAIL

Date: 24.04.2008

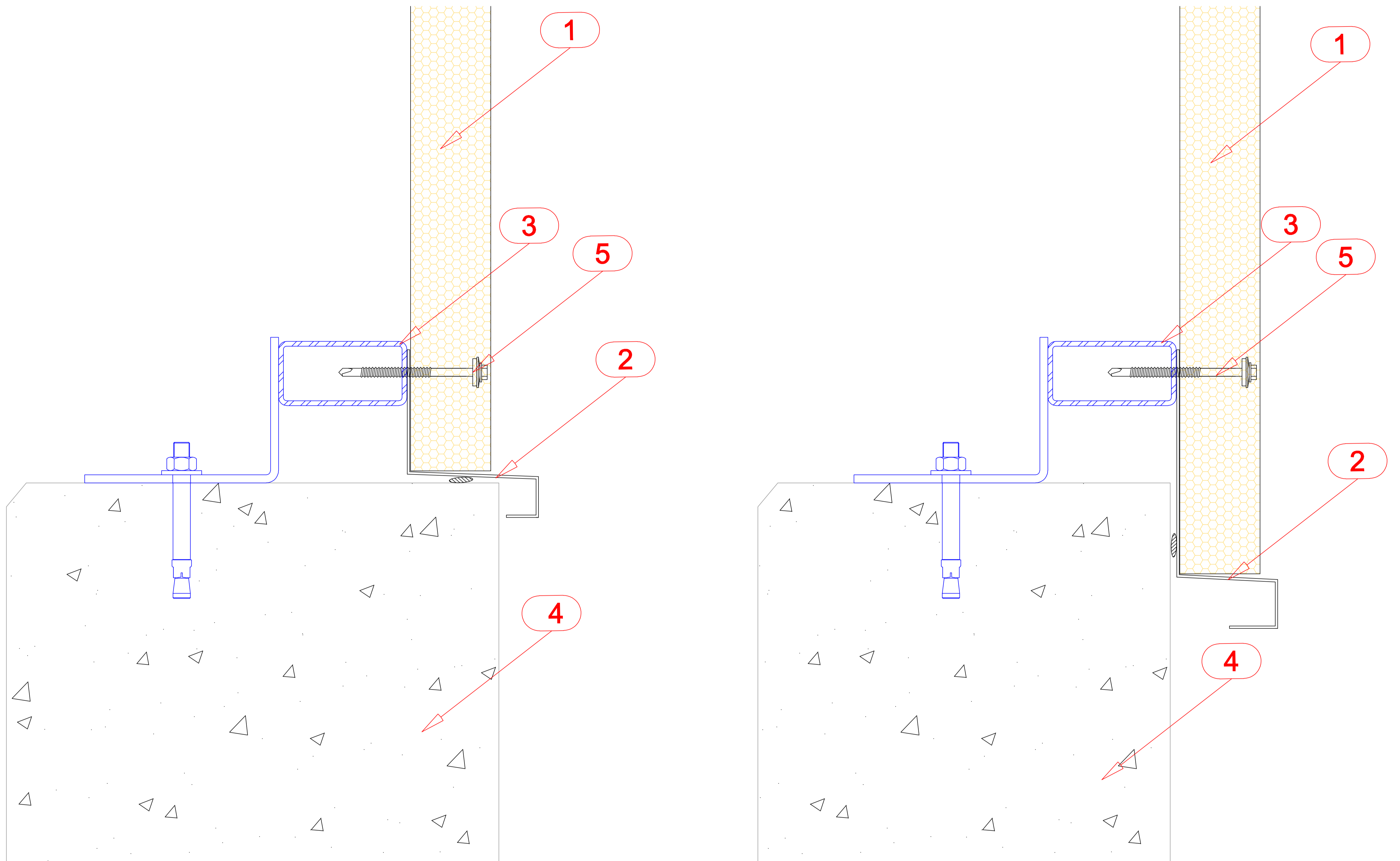
Drawing no: 15

Drawn by:

Rev.

Scale: 1/5

File no: D1



- 1. VERTICALLY LAID WALL PANEL (MASTER PANEL W)
- 2. SILL FLASHING
- 3. PURLIN
- 4. CONCRETE
- 5. FASTENER

The details given in this drawing may change project to project.