

# ASSAN PANEL

SANAYİ VE TİCARET A.Ş.

Contents of drawing:

## RIDGE DETAIL

Date: 24.04.2008

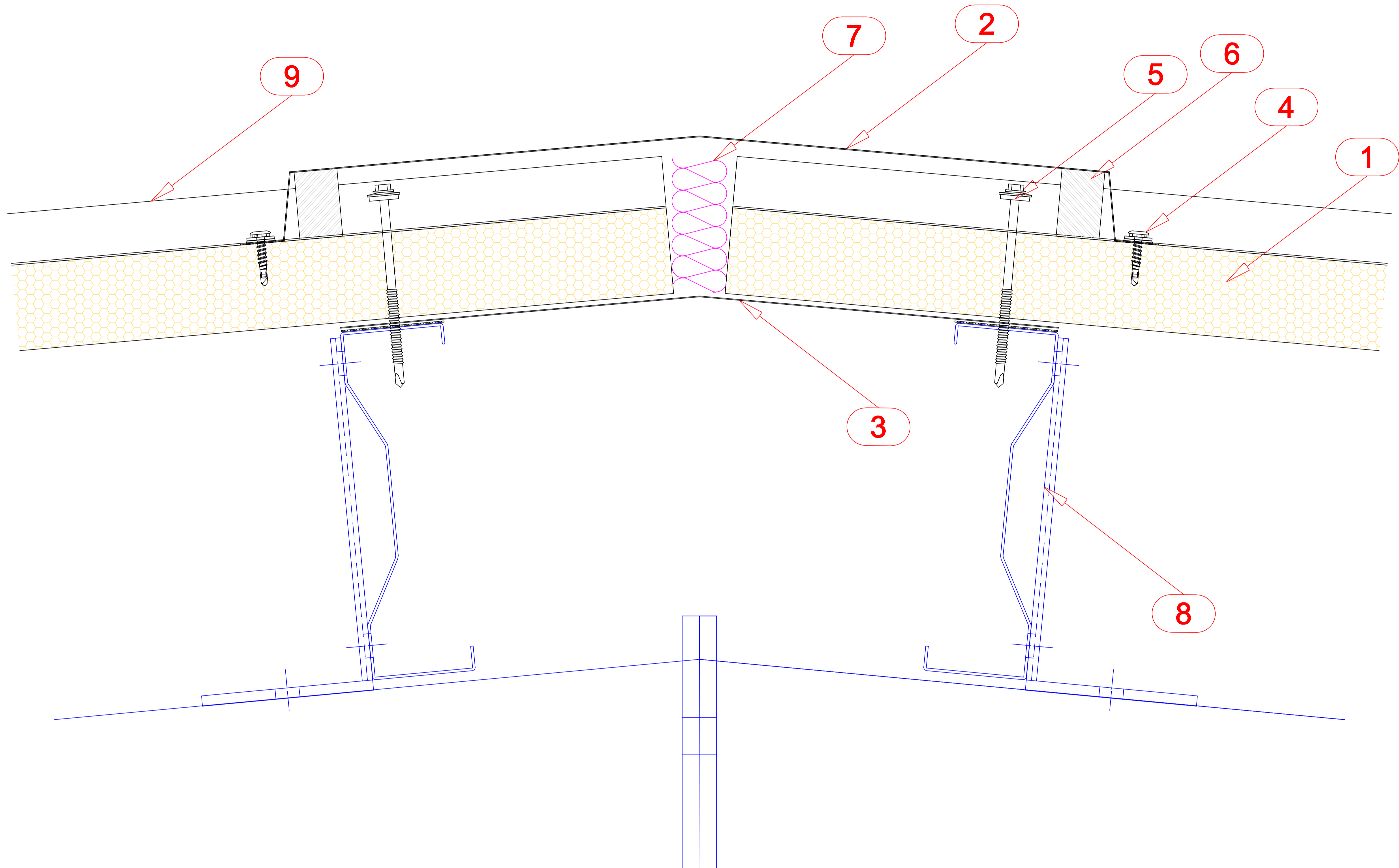
Drawing no: 1

Drawn by:

Rev.

Scale: 1/5

File no: D3



- 1. ROOF PANEL (MASTER PANEL R3)
- 2. EXTERNAL RIDGE FLASHING
- 3. INTERNAL RIDGE FLASHING
- 4. FASTENER
- 5. FASTENER
- 6. SEALANT
- 7. THERMAL INSULATION
- 8. PURLIN
- 9. CAP PROFILE

The details given in this drawing may change project to project.